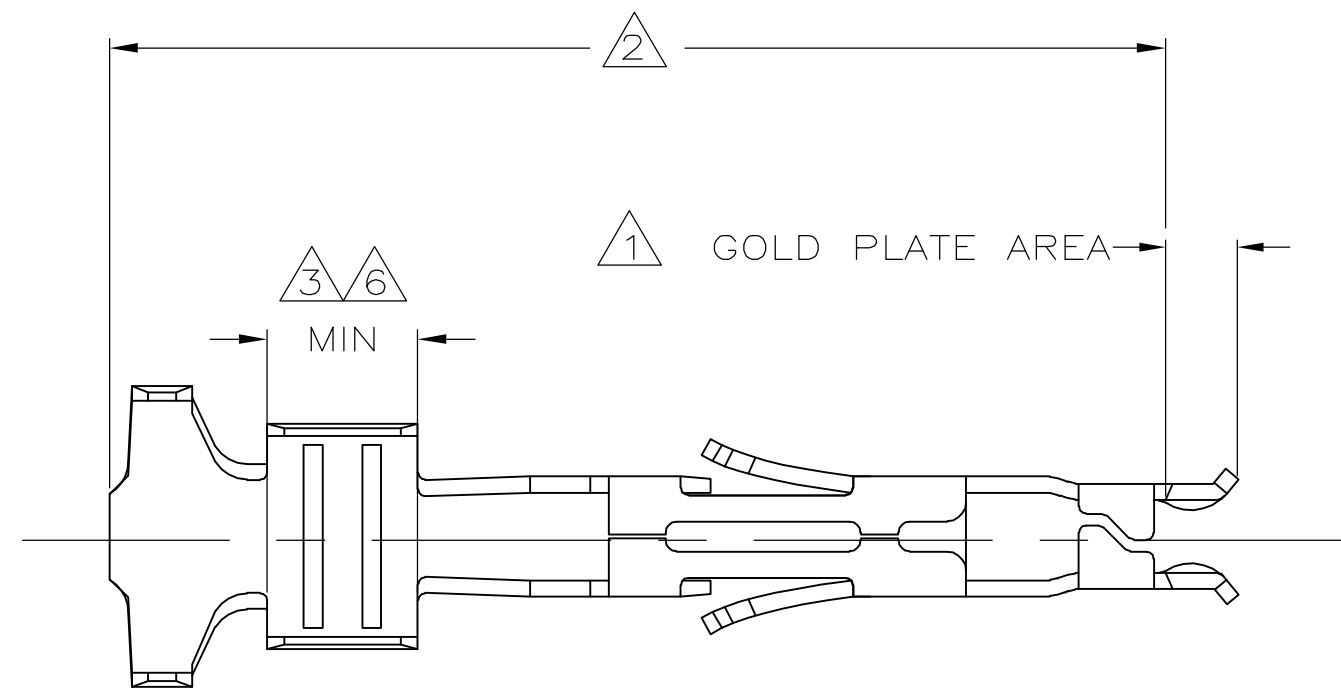
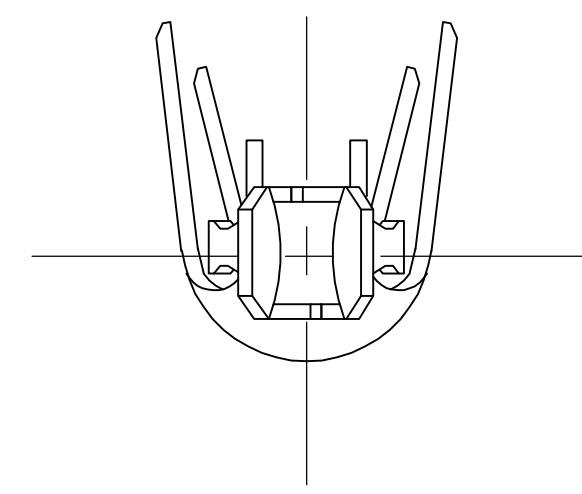
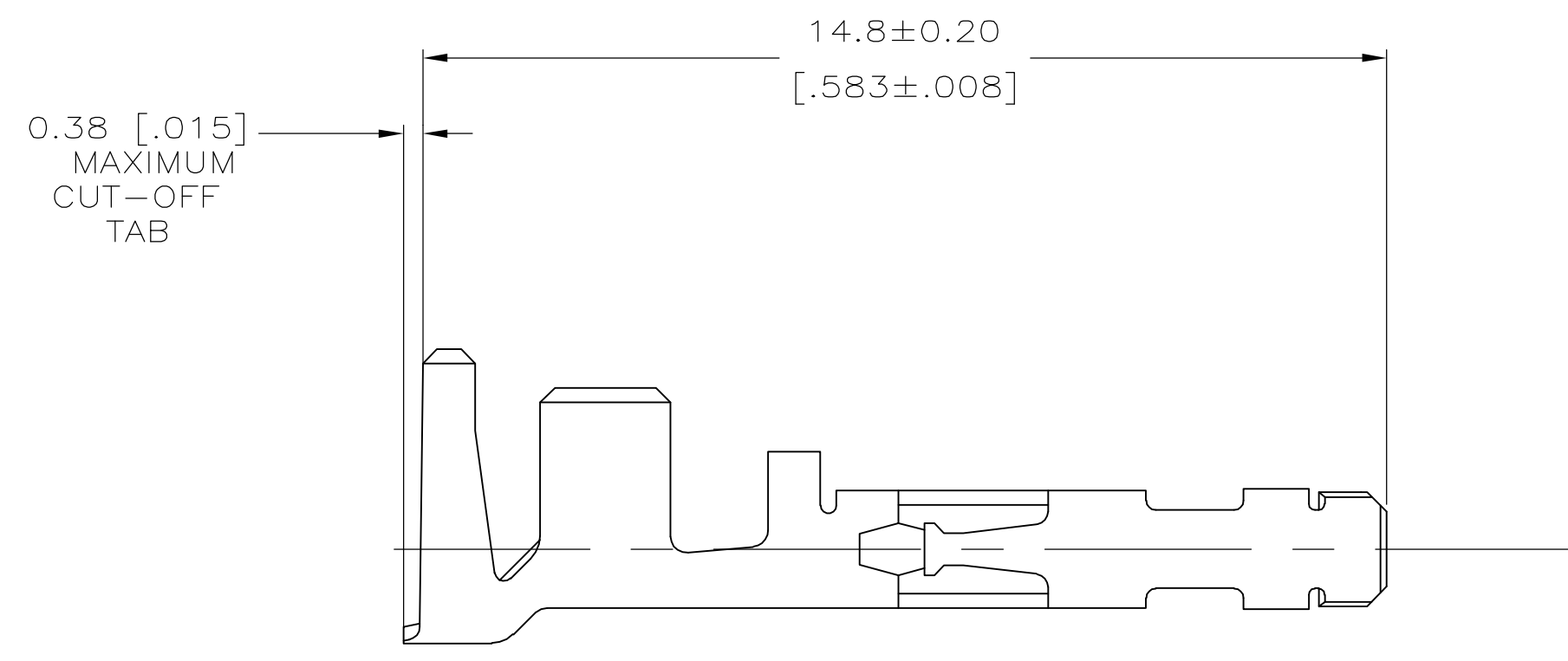


THIS DRAWING IS UNPUBLISHED. RELEASED FOR PUBLICATION
 © COPYRIGHT BY TYCO ELECTRONICS CORPORATION. ALL RIGHTS RESERVED.

LOC	DIST	REVISIONS			
P	LTR	DESCRIPTION	DATE	DWN	APVD
CM	00	F	REVISED PER ECO-07-007565	04APR07	KW CC



- ① FINISH: 0.76 μ m MIN GOLD OVER 1.27 μ m MIN NICKEL REQUIRED ON INNER SURFACE, PERMITTED ON OUTER SURFACE.
- ② FINISH: NICKEL BASE PLATE ON ALL SURFACES IN THIS AREA.
- ③ FINISH: 2.54 μ m MIN TIN-LEAD ON ALL SURFACES IN THIS AREA.
- 4. WIRE RANGE: (2) 0.8-0.9mm² (2 X 18 AWG)
(1) 1.2mm² (1 X 16 AWG)
- 5. INSULATION RANGE: 3.3 [.13] DIAMETER MAXIMUM FOR 2 X 18 AWG AND 3.0 [.12] DIAMETER FOR 1 X 16 AWG.
- ⑥ FINISH: 2.54 μ m MINIMUM TIN ON ALL SURFACES IN THIS AREA.



1-794140-3	①②⑥	0.22 [.009] PHOS BRONZE	1-794143-3
794140-3	①②③	0.22 [.009] PHOS BRONZE	794143-3
STRIP	FINISH	MATERIAL	PART NUMBER

METRIC

THIS DRAWING IS A CONTROLLED DOCUMENT.		DWN R. VESTAL 5-01-97	Tyco Electronics Corporation Harrisburg, Pa 17105-3608	
DIMENSIONS: mm [INCHES]		CHK R. SWING 5-01-97		
TOLERANCES UNLESS OTHERWISE SPECIFIED:		APVD E. BEILES 5-07-97	NAME	
0 PLC ± -		PRODUCT SPEC	CONTACT, SOCKET, AMP-DUAC(TM) POWER CONNECTOR, LOOSE PIECE	
1 PLC ± -		108-1646	SIZE	CAGE CODE
2 PLC ± 0.10		APPLICATION SPEC	A2	00779
3 PLC ± -		114-6067	DRAWING NO G=794143	
4 PLC ± -		WEIGHT	RESTRICTED TO	
ANGLES ± -		-	-	
MATERIAL SEE TABLE	FINISH SEE TABLE	CUSTOMER DRAWING		SCALE 10:1 SHEET 1 OF 1 REV F